

FLOWER DIVIDER

VFD SERIES GEAR TYPE



 **VBC**
HYDRAULICS
www.vbchyd.com
bhavesh@vbchyd.com

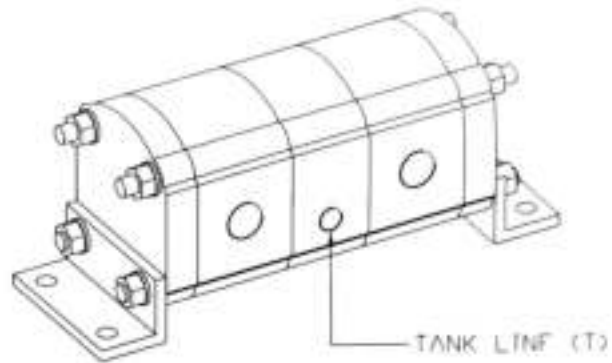
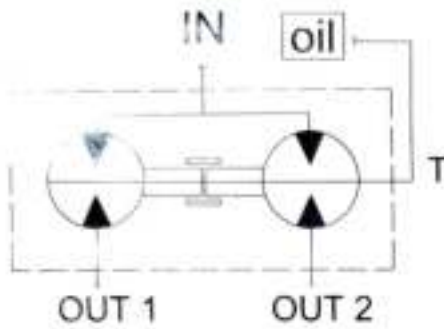
FLOW DIVIDER "VFD" Series Gear Type

VFD

EXTERNAL DRAIN TYPE (Standard Version)

For the correct functioning of the flow divider, it has to be installed under the oil level. The tank tube as to pick up under the oil level and it has to aspire air.

The flow divider error is lower than $\pm 1.5\%$ with a pressure difference between one element and another until 30 bar. For higher differences we can approximate an error increase of 1% for each 10 additional bar.



Code:

VFD N CC

VFD	Flow Divider Gear Type
N	No of elements
CC	Displacement Code

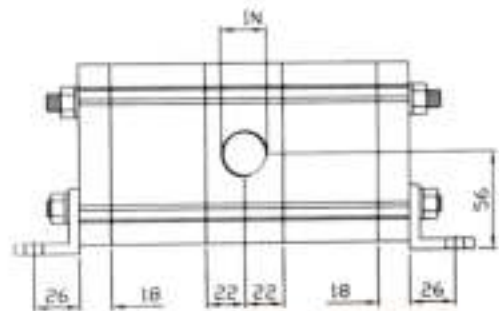
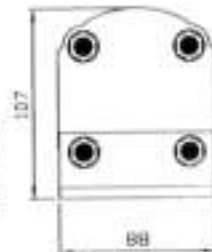
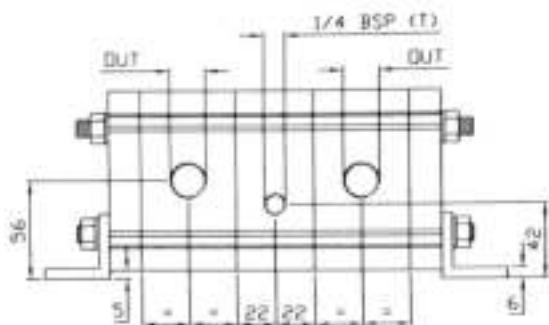
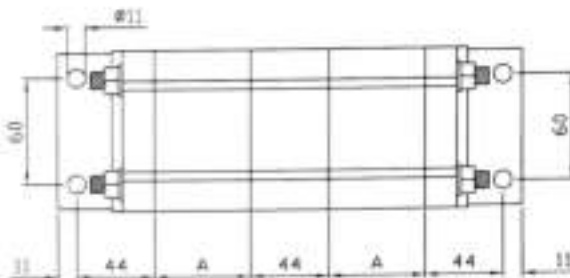
Example : Flow divider displacement (max. 8 elements) :

VFD 04 11 11 11 11

Displacement code	l/min Flow	Max. pressure bar	A	IN	OUT
4	6	210	54	3/4" BSP	1/2" BSP
6	9	210	58	3/4" BSP	1/2" BSP
8	12	210	61	3/4" BSP	1/2" BSP
11	16	210	64	3/4" BSP	1/2" BSP
14	21	200	70	3/4" BSP	1/2" BSP
17	25	200	75	3/4" BSP	1/2" BSP
19	27	190	77	3/4" BSP	1/2" BSP
22	32	180	83	3/4" BSP	1/2" BSP
27	40	160	93	1" BSP	3/4" BSP
31	46	160	99	1" BSP	3/4" BSP
34	51	140	104	1" BSP	3/4" BSP

Number of inlet in function of the number of elements are indicated.

Number of elements	2	3	4	5	6	7	8
"IN" Number of inlets	1	1	2	2	3	3	4



1, Yadav Estate, G.D. School Road, Saijpur, Ahmedabad-382345, INDIA
 Tel : +91-79-22818120 Fax : +91-79-22801560 Cell : +91-9824011542
 Email : bhavesh@vbchyd.com www.vbchyd.com, hydraulicgearpumps.com